

NOT FOR NEW DESIGN

FUJITSU Component Touch Panels

Standard and Light Touch 4-Wire series

Fujitsu Resistive Touch Panel Specification

Features

- Superior quality 4-wire resistive touch panel
- Available in standard or light input force types (min. 0.02N)
- Light input type panels with dual input gesture support are comparable to PCAP panels
 - Pinch, Zoom, Rotate, Swipe or Flick action detection by the controller
- Anti Newton ring technology / high reliability materials
- Pen/finger input type
- Transparency 80~90%
- Flush surface, logo and custom colored rim area
- Optional AS, AG coating, antibacterial finish, enhanced writing friction finish available
- RoHS compliant



Standard 4-Wire Resistive Touch Panel Part Numbers

Size	Aspect Ratio	Part number	Transparent area (mm)	Glass thickness (mm)	Tail (Flex) length mm	Transparency %
15.0	4x3	N010-0554-T902A	309.2 x 234.23	1.1	61	80
12.1	4x3	N010-0554-T805A	250.9 x 190.8	1.1	75	82
12.1	4x3	N010-0554-T814A	250.9 x 190.8	1.1	120	82
10.4	4x3	N010-0554-T303A	216.2 x 164.6	1.1	75	80
10.4	4x3	N010-0554-T347A	216.2 x 164.6	1.1	75	82.5
10.4	4x3	N010-0554-T351A	225.5 x 174.0		120	86
10.4	4x3	N010-0554-T352A	216.2 x 164.6	1.1	120	82.5
8.4	4x3	N010-0554-T504A	173.8 x 131.8	0.7	75	80
8.4	4x3	N010-0519-T742A	173.8 x 131.8		120	86
8.4	4x3	N010-0554-T511A	173.8 x 131.8		120	80
7.0	wide	T010-1301-T320*	154.90 x 93.94	70	72.5	
6.5	4x3	N010-0554-T043A (AG)	133.6 x 102.7	1.1	61	82
6.5	4x3	N010-0554-T048A	133.6 x 102.7	1.1	120	86
5.7	4x3	N010-0554-T009A	122.0 x 93.9	1.1	46.2	80
5.7	4x3	N010-0554-T015A	122.0 x 93.9		120	80
4.3	4x3	N010-0554-T241A	99.1 x 57.55		120	86
3.8	4x3	N010-0554-T703A (AG)	61.6 x 82.5	0.7	21	80

*: Produced by Transtouch Technologies, Inc., a Fujitsu partner company.

■ Light Touch 4-Wire Resistive Touch Panel Part Numbers

Size	Aspect Ratio	Part number	Transparent area (mm)	Glass thickness (mm)	Tail (Flex) length mm	Transparency %
22	wide	FID-1111-501-A22	479.76 x 303.1	1.8	120	80
19	4x3	FID-1111-381-A19	382.9 x 307.7	1.8	120	80
17.1	4x3	NC01111-T281	342.3 x 274.1	1.8	61	80
15.3	wide	NC01152-T021	338.08 x 204.44	1.1	61	80
15	4x3	NC01111-T261	309.2 x 234.23	1.1	61	80
12.1	wide	NC01111-T081	264.12 x 167.2	1.1	120	80
12.1	4x3	NC01111-T241 (AS)	250.9 x 190.8	1.1	61	80
12.1	4x3	NC01111-T242	250.9 x 190.8	1.1	75	80
10.4	4x3	NC01111-T221	216.2 x 164.6	1.1	61	80
10.4	4x3	NC01111-T222	216.2 x 164.6	1.1	75	80
10.1	wide	FID-1154-401-A10	223.4 x 141.5	1.1	50	80
8.4	4x3	NC01111-T202	173.8 x 131.8	1.1	75	80
8	wide	NC01101-T081	180.8 x 103.8	1.1	50	82
7	wide	NC01152-T101	157.4 x 95.0	1.1	50	82
7	wide	NC01101-T041	156.8 x 88.58	1.1	50	82
7	wide	NC01101-T061	156.8 x 94.8	1.1	50	82
6.95	wide	NC01101-T001	160.00 x 84.30	1.1	50	82
6.5	4x3	NC01101-T021	147.3 x 82.1	1.1	50	82
4.3	4x3	NC01111-T181	99.1 x 57.5	1.1	50	80
3.8	4x3	NC01111-T161	61.6 x 82.5	0.7	21	80

■ Notes

- AS = Anti-Smudge
- Full specifications are available - please contact your local Sales Representative or use the Contact Form to request

■ Controller Boards

Part Number	Type
NC01850-B070RS	4-wire, RS232
NC01850-B010RS	4-wire, USB
FID-1850-120	4-wire, USB, dual touch*

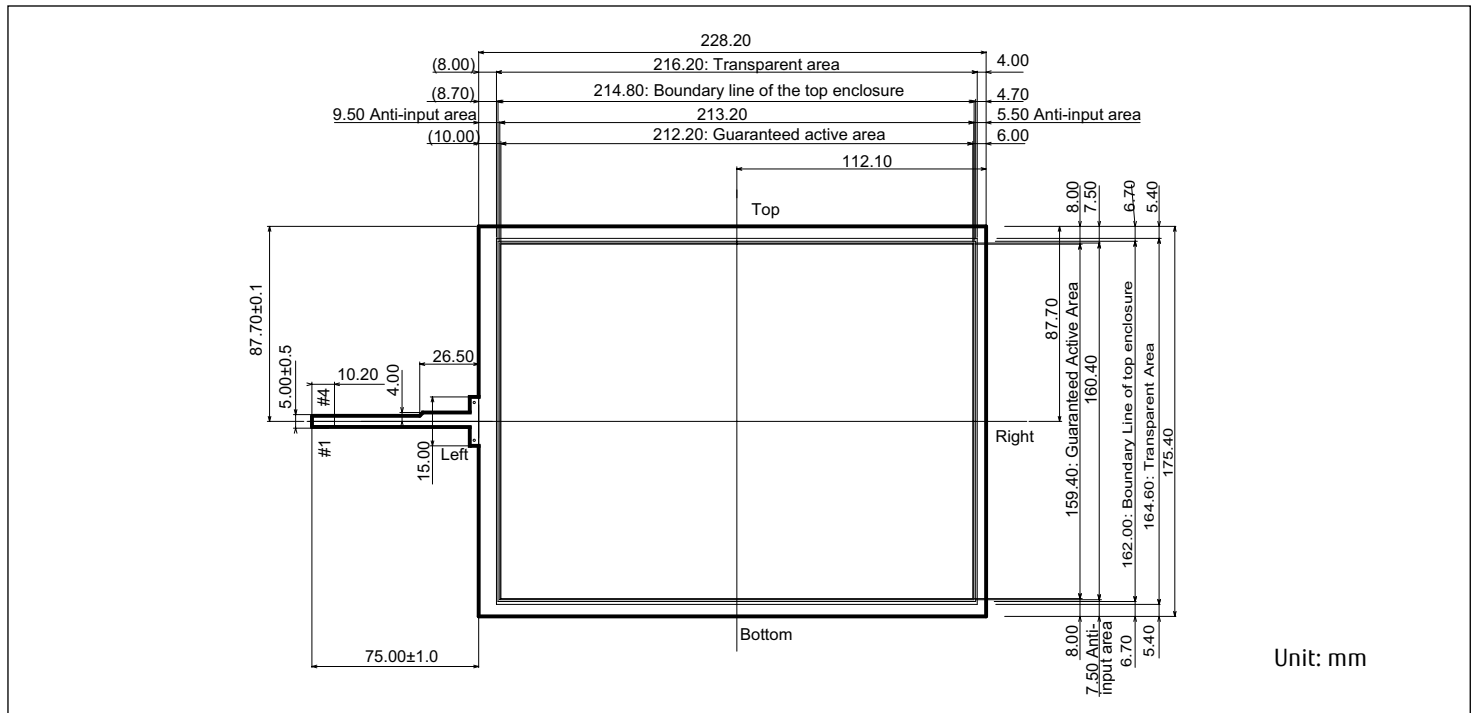
*: Dual touch does not work with Windows® 10 version 1809 or later.

■ Interface Controller Chips

Part Number	Type
NC41120-0036	4-wire, RS232
NC41120-0051	4-wire, USB
FID-1860-002	4-wire, RS232, dual touch
FID-1860-005	4-wire, USB, dual touch*

*: Dual touch does not work with Windows® 10 version 1809 or later.

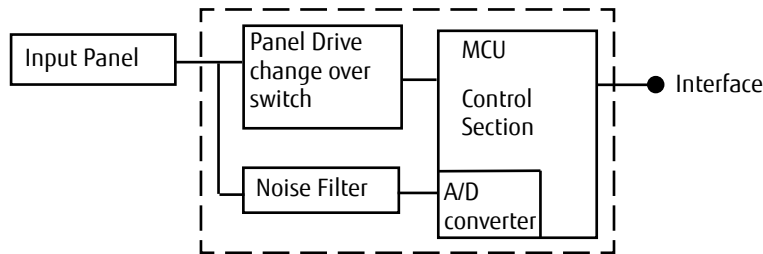
■ Dimension example (10.4" shown)



■ Notes: Full specifications are available - please contact your local Sales Representative or use the Contact Form to request.

■ System description and block diagram

This panel in combination with a control IC chip or control board is used to transfer the co-ordinate data to the host system. Please see block diagram.



■ General notes

Touch panels are made of glass, so care must be taken in handling them. Do not stress, pile, bend, lift by the cable or put any stress on the film, for example moving by film face vacuum. In order to clean wring dry a cloth which has been emersed in a natural detergent. DO NOT use any organic solvent, acid or alkali solution. Watch the edge of the panel when cleaning, again for safety reasons.

■ Detailed specifications

This specification applies to the standard series Resistive Touch Panel (Pen/Finger type)
Complete specification document is available upon request.

■ Electrical

	Standard 4-wire	Light Touch 4-wire
Rated voltage	DC 5V (DC 7V maximum)	DC 5V (DC 7V maximum)
Switch bounce (chattering)	20ms maximum	20ms maximum
Insulation resistance	10MΩ minimum	10MΩ minimum

■ Environmental

	Standard 4-wire	Light Touch 4-wire
Operating temperature	-5°C to 60°C	-5°C to 60°C
Storage temperature	-30°C to 70°C	-30°C to 70°C
Operating humidity *1	20% to 85%	20% to 90%
Storage humidity *1	10% to 90% RH	10% to 90% RH

*1: Maximum wet bulb temperature of 38°C

Contact

<p>Japan FUJITSU COMPONENT LIMITED Shinagawa Seaside Park Tower 12-4, Higashi-shinagawa 4-chome, Tokyo 140 0002, Japan Tel: (81-3) 3450-1682 Fax: (81-3) 3474-2385 Email: fcl-contact@cs.jp.fujitsu.com Web: www.fujitsu.com/jp/group/fcl/en/</p>	<p>Europe FUJITSU COMPONENTS EUROPE B.V. Diamantlaan 25 2132 WV Hooftdorp Netherlands Tel: (31-23) 5560910 Fax: (31-23) 5560950 Email: info@fceu.fujitsu.com Web: emea.fujitsu.com/components/</p>	<p>China FUJITSU ELECTRONIC COMPONENTS (SHANGHAI) CO., LTD. Unit 4306, InterContinental Center 100 Yu Tong Road, Shanghai 200070, China Tel: (86 21) 3253 0998 /Fax: (86 21) 3253 0997 Email: fcsh@cn.fujitsu.com www.fujitsu.com/cn/products/devices/ components/</p>	<p>Korea FUJITSU COMPONENTS KOREA, LTD. Alpha Tower #403, 645 Sampyeong-dong, Bundang-gu, Seongnam-si, Gyeonggi-do, 13524 Korea Tel: (82 31) 708-7108 Fax: (82 31) 709-7108 Email: fcal@sg.fujitsu.com www.fujitsu.com/sg/products/ devices/components/</p>
<p>North and South America FUJITSU COMPONENTS AMERICA, INC. 1230 E. Arques Ave., M/S 160 Sunnyvale, CA 94085 U.S.A. Tel: (1-408) 745-4900 Fax: (1-408) 745-4970 Email: components@us.fujitsu.com Web: http://us.fujitsu.com/components/</p>	<p>Asia Pacific FUJITSU COMPONENTS ASIA, Ltd. 102E Pasir Panjang Road #01-01 Citilink Warehouse Complex, Singapore 118529 Tel: (65) 6375-8560 / Fax: (65) 6273-3021 Email: fcal@sg.fujitsu.com www.fujitsu.com/sg/products/devices/ components/</p>	<p>Hong Kong FUJITSU COMPONENTS HONG KONG Co., Ltd. Room 06, 28/F, Greenfield Tower, Concordia Plaza, No.1 Science Museum Road, Tsim Sha Tsui East, Kowloon, Hong Kong Tel: (852) 2881 8495 Fax: (852) 2894 9512 Email: fcal@sg.fujitsu.com www.fujitsu.com/sg/products/devices/ components/</p>	

Copyright

All trademarks or registered trademarks are the property of their respective owners. Fujitsu Components America or its affiliates do not warrant that the content of datasheet is error free. In a continuing effort to improve our products Fujitsu Components America, Inc. or its affiliates reserve the right to change specifications/datasheets without prior notice. Copyright ©2020 Fujitsu Components America, Inc. All rights reserved. Revised July 14, 2020.